

infinity motion

Wireless Motion Sensor for ESL & ESX

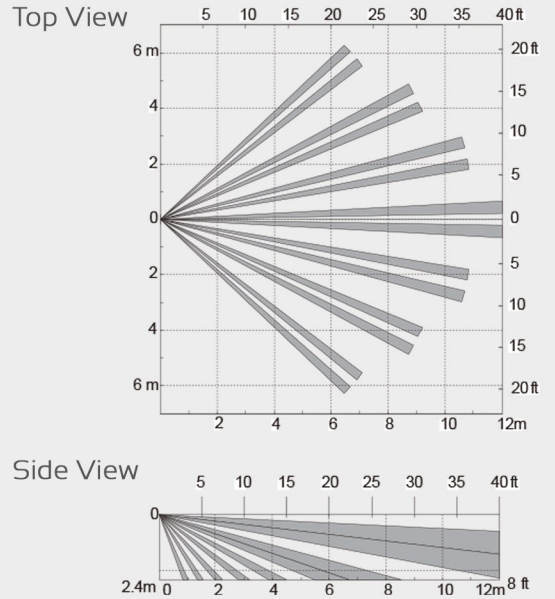
infinity series
powered by EliteControl



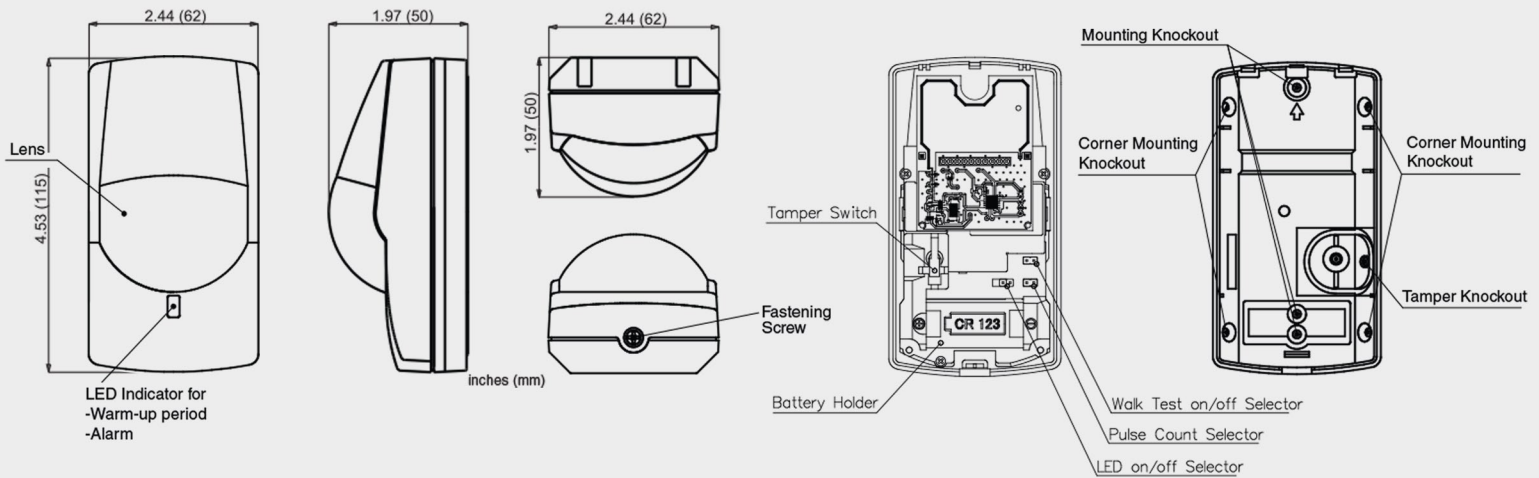
Specifications

Detection Method	Passive Infrared
Coverage	12m x 12m @ 85°
Wireless Range	Up to 500m Line of Sight
Frequency	915MHz
Mounting Height	1.5m - 2.4m
Detection Zones	78 Zones
Sensitivity	1.6°C @ 0.6m / sec
Detectable Speed	0.3m - 1.5m / sec
LED Indicator	On/Off Selectable
Tamper Switch	Front Cover Micro Switch
Pulse Count	Approx 20 sec 2 or 4
Battery Type	1 x CR123A Lithium
Battery Life	Up to 5 Years
Operating Temperature	-20°C to 50°C
Environment Humidity	85% max
Pet immunity	Small Animals 0-40cm High

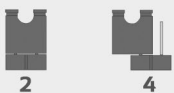
Detection Area



Hardware & Jumpers Pins



Movement Indicator LED - Jumper pin **ON** = LED ON Jumper pin **OFF** = LED OFF



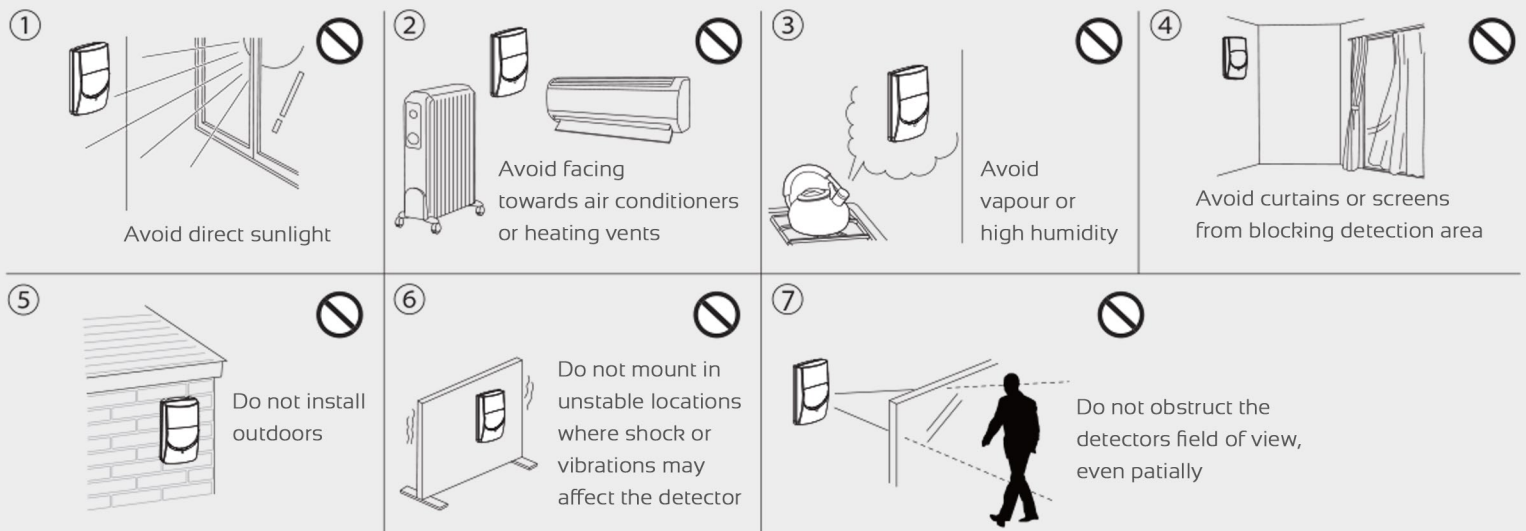
Pulse Count - 2 = Normal conditions & 4 = Harsh conditions. Harsh = Animals or movement of heat. In Mode 4 sensor may be 'sluggish'. Carefully walk test to ensure desired coverage



Walk Test = Sends alarm with every trigger (recommended for testing purposes only)
Normal = Sends alarm trigger & will not generate another for 2 minutes (recommended for continuous use to help ensure a long battery life)

Installation Areas to Avoid

The nix sign  indicates prohibition



Learning Procedure (make sure you are in installer programming before proceeding. Default P000000E)

Enable Wireless Input (P122E)

Press PROG 122 ENTER then the input number you wish to make wireless, followed by ENTER. Next make sure options 1 & 5 are on. This makes the input active & wireless, then press ENTER to save

Example:

P 122 E 9 E turn 1 & 5 on E

Learn Device into an Input (P164E) (ensure battery is correctly installed in the device before proceeding)

- Press PROG 164 ENTER then the input number you wish to enrol the device into, followed by ENTER
- Press ENTER again to start the learn beeps, indicating that the system is waiting to learn a device
- Activate the device tamper switch to complete the learn process and the keypad should stop beeping

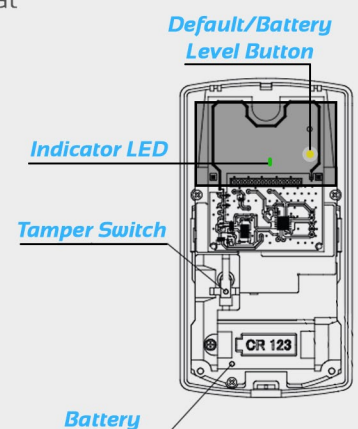
The keypad will now display the input number you learnt the device into. Repeat the steps above using another spare input to learn another device or exit programming to test. For testing it is recommended to have the motion sensor pins set to 'Walk Test'. See page 1 for more information

Battery Status Indication

With the battery inserted, press the gold button for less than 1 second & the LED will indicate battery status.

Green = Battery OK **Red = Battery Low & replacement is advised**

Battery low will be indicated at 2.3V & under



Default Programming

If the 'infinity motion' has previously been learnt into a system it may require defaulting. To do so, press and hold the gold 'Default' button while inserting the battery & continue to hold. The LED will display **solid red** and **turn green** when default is successful.

Note: If system defaults have changed you may need to reference the control panel manual for more information