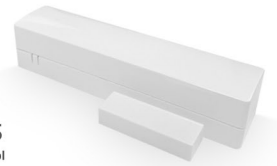


infinity input

Wireless Door/Window Contact & Input

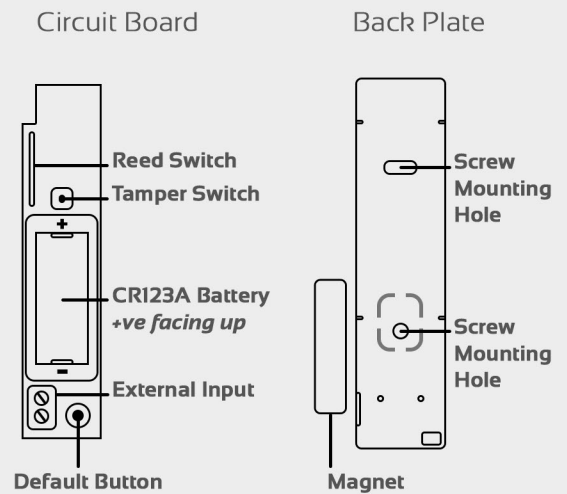
infinity series
powered by EliteControl



Specifications

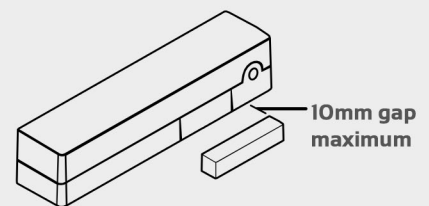
Detection Method	Magnet or External Input
Wireless Range	Up to 500m Line of Sight
Frequency	915MHz
Modulation Type	GFSK
Supervision	7 Minutes
Protocol	infinity 2 Way Encrypted
LED Indicator	Low Battery & Default
Tamper Switch	Front Cover & Back Tamper
Battery Type	1 x CR123A Lithium
Battery Life	Up to 5 Years
Operating Temperature	-20°C to 50°C
Environment Humidity	85% max
Dimensions	97mm x 22mm x 21mm
Weight incl Battery	40g
Event Transmission	Alarm, Tamper, Low Batt & Supervision

Overview

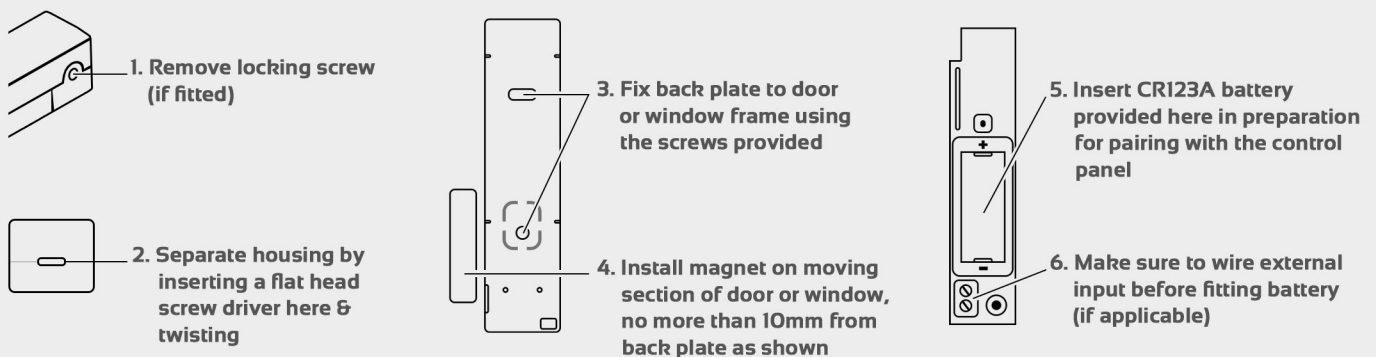


Mounting Requirements

- Attach transmitter to door/window frame and the magnet to the moving section of the door or window
- Avoid installing in close proximity to metal materials (aluminium excluded) as this can negatively affect the transmission range & reed switch operation
- Only use screws provided (and do not overtighten) as larger screws could damage the circuit board & also prevent the tamper switch from working correctly
- Mount device vertically on a flat surface to allow maximum range
- Do not install device onto or next to ferromagnetic materials



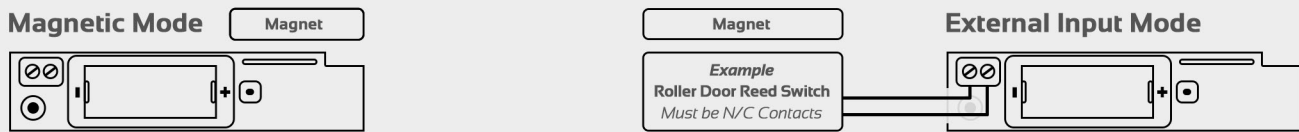
Hardware Mounting



Detection Method Setup

This device will automatically configure the detection method during power up

- If the external input is open during power up the device will operate in 'Magnetic Mode'
- If the external input is sealed/closed during power up the device will operate in 'External Input Mode'



Learning Procedure (make sure you are in installer programming before proceeding. Default P000000E)

Enable Wireless Input (P122E)

Press PROG 122 ENTER then the input number you wish to make wireless, followed by ENTER. Next make sure options 1 & 5 are on. This makes the input active & wireless, then press ENTER to save

Example:

P 122 E 9 E turn 1 & 5 on E

Input you are working on
Option 1 = Input is active
Option 5 = Input is wireless
Programming Address

Learn Device into an Input (P164E) (ensure battery is correctly installed in the device before proceeding)

- Press PROG 164 ENTER then the input number you wish to enrol the device into, followed by ENTER
- Press ENTER again to start the learn beeps, indicating that the system is waiting to learn a device
- Activate the device tamper switch to complete the learn process and the keypad should stop beeping
- The keypad will now display the input number you learnt the device into.
- Repeat the steps above using a different input (that is not in use) to learn another device or exit programming to test

Battery Status Indication

During normal operation the LED indicator will display as **green** if the battery level is OK. The same LED indicator will display as **red** if the battery requires replacement.

Battery low will be indicated at 2.2V & under.

Default Programming

If the 'infinity input' has previously been learnt into a system it may require defaulting. To do so, press and hold the gold 'Default' button while inserting the battery & continue to hold.

The LED will display **solid red** and **turn green** when default is successful

Note: If system defaults have changed you may need to reference the control panel manual for more information

