



## SH-PIRCAM-8F/9F

TWO WAY WIRELESS  
INDOOR PIRCAM DETECTOR



INSTRUCTION MANUAL  
P/N 7105070\_A

### PRODUCT FEATURES

The SH-PIRCAM Indoor is a two way wireless motion detector with a built-in CMOS high quality color camera that provides the perfect solution for visual alarm verification of your premises.

When your control panel is armed and the PIR sensor detects movement, the detector sends an alert and transmit picture to the CMS or to your mobile phone.

- Freewave2 Advanced & Secured RF protocol
- GFSK with 5 frequencies & LBT
- Pet immune passive IR detection element
- Low current Technology
- Tamper Open/Close transmission
- Unique ID number
- 110 degrees lens- mounted in factory
- CMOS camera with CIF resolution
- 2 DSP microcontrollers for image processing
- White LED flashes for operating in dark conditions.
- Red and Green indicators LEDs

### DETECTOR OPENING

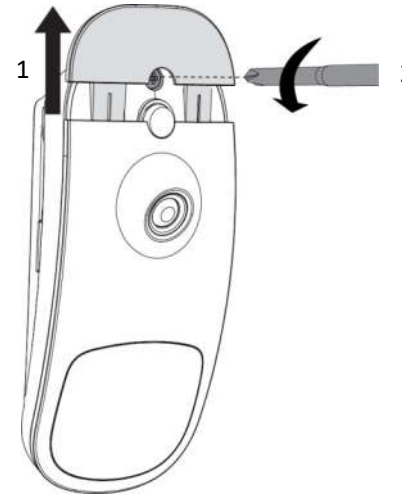


Figure 1

### BRACKET REMOVAL

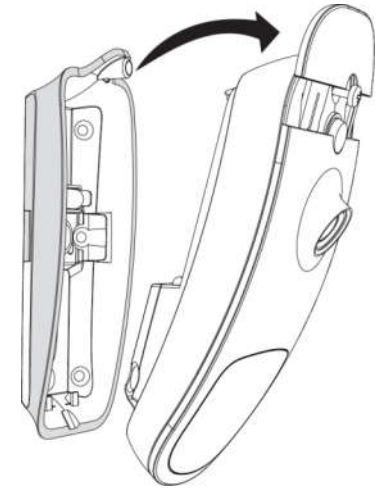


Figure 2

### BATTERY INSERTION

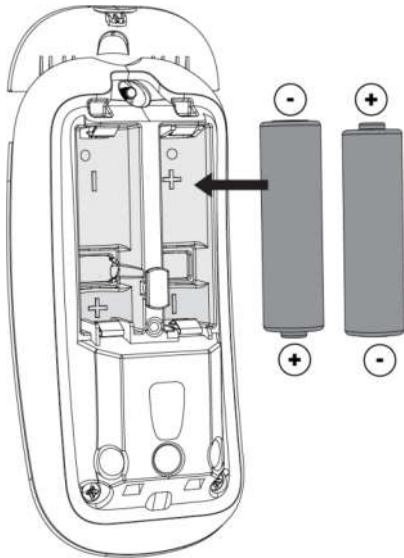
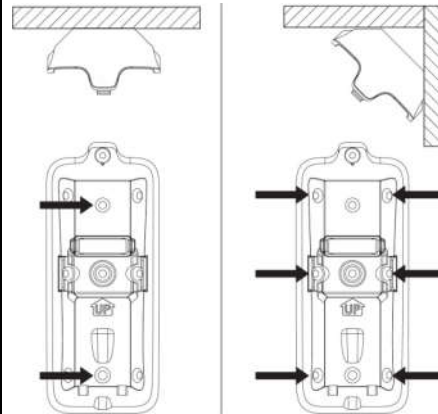


Figure 3

The battery can be replaced by the user  
Battery type: 2 Energizer L91 Lithium Batteries 1.5V Type AA

### DETECTOR MOUNTING



Option 1  
Direct flat on wall

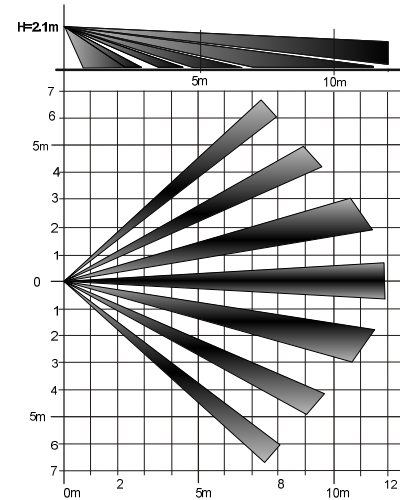
Option 2  
90° wall corner

Figure 4

Avoid the following locations:

- Facing direct sunlight.
- Facing areas that may change temperature rapidly.
- Areas where there are air ducts or substantial airflows.

### DETECTION COVERAGE



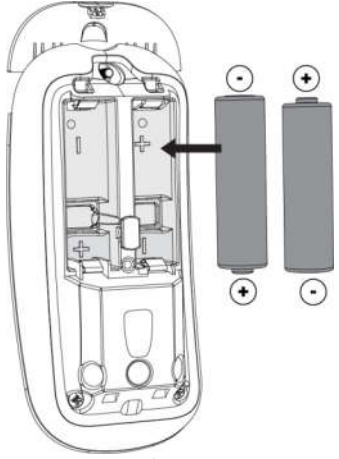




Recommended mounting height – 2.1m to 2.3m

### PAIRING PROCESS

For pairing process, please refer to your control panel instructions.

To pair your device, please proceed as follows:

1. Enter in installing mode via the "Installer Webpage"
2. Go to "Zones" and select the zone # you want to learn
3. Add Zone -(Reminder: insert Link Type "ISM", device's ID, Device Type "Camera PIR on CT2035".)
4. Set the PIRCAM settings and save configuration.
5. Place batteries as instructed in Figure 3.
6. Verify Green & Red are blinking alternately, then the LED will turn Green on for 3 sec. to indicate device learned successfully.
7. The device should register to the Control Panel.
8. If Green LED continues flashing more than 5 minutes and stopped. Please check PIRCAM settings details, remove batteries and repeat step 4,5.

DETECTOR TESTING	BATTERY REPLACEMENT	SPECIFICATION	STANDARDS APPROVALS																																						
<p>After pairing and installing the detector, we recommend performing walk and transmission tests.</p> <p><b>Motion Transmission Test</b></p> <p>Walk crossing in front of the detector from one side to the other will cause motion alert transmissions. Verify receiving the indication on your control panel. Pay attention that due to APS feature it is required waiting 30 seconds between 2 consecutive indications.</p> <p><b>Walk Test</b></p> <ul style="list-style-type: none"> <li>- Activate walk test mode via Web Installer (in the overview level), for walk test institutions use Panel manual.</li> <li>- Make few walk crossing in front of the detector and see results in Overview display.</li> </ul> <p><b>Tamper Transmission Test</b></p> <p>Changing the tamper switch state (by attaching / removing the device to / from the Bracket) will cause tamper transmissions.</p> <p><b>EVENT TRANSMISSION</b></p> <p><b>SUPERVISION</b> – A periodical transmission (configurable) indicating detector's presence.</p> <p><b>ALARM</b> – Alarm transmission triggered by the device indicating Motion detection. The Red LED will blink once.</p> <p><b>LOW BAT</b> – Whenever the battery reaches the low level (2.9V), a Battery Low signal will be sent. When Battery level drops below Cut Off level (2.5V) the device will stop functioning and the Red LED will blink for 10 seconds and then turned Off.</p> <p><b>TAMPER</b> – Whenever the cover is removed from Bracket or the device is tear off from the wall, a message will be transmitted with "Tamper ON" signal. When cover will be returned a "Tamper OFF" signal will be transmitted.</p>	 <p>Figure 5</p> <div style="border: 1px solid black; padding: 5px; text-align: center;"> <p><b>Batteries must be replaced by 2 Lithium batteries FR6 AA</b></p> </div> <p style="text-align: center;"><b>CAUTION</b></p> <p style="text-align: center;"><b>RISK OF EXPLOSION</b></p> <p style="text-align: center;"><b>IF BATTERY IS REPLACED BY DIFFERENT TYPE / MODEL.</b></p> <p style="text-align: center;"><b>DISPOSE USED BATTERIES ACCORDING TO ITS INSTRUCTIONS</b></p>	<table border="0"> <tr> <td>Detection Method</td> <td>PYRO Element S Shape</td> </tr> <tr> <td>ISM Radio</td> <td>2GFSK</td> </tr> <tr> <td>Operating Frequencies</td> <td>868-869MHz / 916-917MHz</td> </tr> <tr> <td>Identification</td> <td>Unique ID serial number – 24 bit</td> </tr> <tr> <td>Camera</td> <td>CMOS Camera HDR</td> </tr> <tr> <td>Resolution</td> <td>VGA 640x480 or WGVA 744x520</td> </tr> <tr> <td>CMOS Sensitivity</td> <td>16VLux/sec</td> </tr> <tr> <td>Picture Mode</td> <td>Configurable BW / QVGA</td> </tr> <tr> <td>Resolution</td> <td>Configurable VGA / QVGA</td> </tr> <tr> <td>Events Transmission</td> <td>Alarm, Tamper, Supervision, Low Bat, Keep Alive.</td> </tr> <tr> <td>Supervision Time</td> <td>7 min by default (configurable between 1 to 30 min)</td> </tr> <tr> <td>Transmission Range</td> <td>500m in open space</td> </tr> <tr> <td>Battery</td> <td>2 x Lithium batteries FR6 AA</td> </tr> <tr> <td>Battery life</td> <td>Up to 5 years</td> </tr> <tr> <td>Current Consumptions</td> <td>Standby ~70 µA Receive mode ~26 mA Transmit mode ~52 mA Transmit power up to 14 dBm Low Bat 2.9V Cut Off 2.6V</td> </tr> <tr> <td>Tamper Switch</td> <td>Front Cover and Wall Removal</td> </tr> <tr> <td>Operating temperature</td> <td>-10°C to +55°C</td> </tr> <tr> <td>Dimensions</td> <td>132mm x 50mm x 60mm</td> </tr> <tr> <td>Weight (incl. battery)</td> <td>120 gr.</td> </tr> </table>	Detection Method	PYRO Element S Shape	ISM Radio	2GFSK	Operating Frequencies	868-869MHz / 916-917MHz	Identification	Unique ID serial number – 24 bit	Camera	CMOS Camera HDR	Resolution	VGA 640x480 or WGVA 744x520	CMOS Sensitivity	16VLux/sec	Picture Mode	Configurable BW / QVGA	Resolution	Configurable VGA / QVGA	Events Transmission	Alarm, Tamper, Supervision, Low Bat, Keep Alive.	Supervision Time	7 min by default (configurable between 1 to 30 min)	Transmission Range	500m in open space	Battery	2 x Lithium batteries FR6 AA	Battery life	Up to 5 years	Current Consumptions	Standby ~70 µA Receive mode ~26 mA Transmit mode ~52 mA Transmit power up to 14 dBm Low Bat 2.9V Cut Off 2.6V	Tamper Switch	Front Cover and Wall Removal	Operating temperature	-10°C to +55°C	Dimensions	132mm x 50mm x 60mm	Weight (incl. battery)	120 gr.	<p>The SH-PIR conforms to the essential requirements set out by:</p> <ul style="list-style-type: none"> <li>• EMC directive:2014/30/EU</li> <li>• LVD directive: 2014/35/EU</li> <li>• RE directive (RED): 2014/53/EU</li> <li>• RoHS3 directive: 2015/863/EU</li> </ul> <p>Harmonized Standards applicable to this products are:</p> <ul style="list-style-type: none"> <li>• EN 50130-4</li> <li>• EN 61000-6-3</li> <li>• EN 301 489-1</li> <li>• EN 301 489-3</li> <li>• EN 300 220-1</li> <li>• EN 300 220-2</li> <li>• EN 62368-1</li> </ul> <p>Additional Standards and Directives applicable to this product are:</p> <ul style="list-style-type: none"> <li>• EN 50131-1</li> <li>• EN 50131-2-2</li> <li>• EN 50131-6</li> <li>• EN 50131-5-3</li> <li>• EN 50130-5</li> </ul> <p>Certification body: Telefication B.V. Security Grade2, Environmental Class II Power supply Type C</p> <div style="text-align: center;">    </div>
Detection Method	PYRO Element S Shape																																								
ISM Radio	2GFSK																																								
Operating Frequencies	868-869MHz / 916-917MHz																																								
Identification	Unique ID serial number – 24 bit																																								
Camera	CMOS Camera HDR																																								
Resolution	VGA 640x480 or WGVA 744x520																																								
CMOS Sensitivity	16VLux/sec																																								
Picture Mode	Configurable BW / QVGA																																								
Resolution	Configurable VGA / QVGA																																								
Events Transmission	Alarm, Tamper, Supervision, Low Bat, Keep Alive.																																								
Supervision Time	7 min by default (configurable between 1 to 30 min)																																								
Transmission Range	500m in open space																																								
Battery	2 x Lithium batteries FR6 AA																																								
Battery life	Up to 5 years																																								
Current Consumptions	Standby ~70 µA Receive mode ~26 mA Transmit mode ~52 mA Transmit power up to 14 dBm Low Bat 2.9V Cut Off 2.6V																																								
Tamper Switch	Front Cover and Wall Removal																																								
Operating temperature	-10°C to +55°C																																								
Dimensions	132mm x 50mm x 60mm																																								
Weight (incl. battery)	120 gr.																																								
<p><b>WARRANTY POLICY CERTIFICATE</b></p> <p>Crow warrants these products to be free from defects in materials and workmanship under normal use and service for a period of 24 months from the last day of the week and year whose numbers are printed on the printed circuit board inside these products.</p> <p>Subject to the provisions of this Warranty Certificate, during the Warranty Period, Crow undertakes, at its sole discretion and subject to Crow's procedures, as such procedures are from time to time, to repair or replace, free of charge for materials and/or labor, products proved to be defective in materials or workmanship under normal use and service. Repaired products shall be warranted for the remainder of the original Warranty Period.</p> <p>All transportation costs and in-transit risk of loss or damage related, directly or indirectly, to products returned to Crow for repair or replacement shall be borne solely by the Purchaser.</p> <p>This Warranty Certificate does not cover products that is defective (or shall become defective) due to: (a) alteration of the products (or any part thereof) by anyone other than Crow; (b) accident, abuse, negligence, or improper maintenance; (c) failure caused by a product which Crow did not provide; (d) failure caused by software or hardware which Crow did not provide; (e) use or storage other than in accordance with Crow's specified operating and storage instructions.</p> <p>There are no warranties, expressed or implied, of merchantability or fitness of the products for a particular purpose or otherwise, which extend beyond the description on the face hereof.</p> <p>This limited Warranty Certificate is the Purchaser's sole and exclusive remedy against Crow and Crow's sole and exclusive liability toward the Purchaser in connection with the products, including without limitation - for defects or malfunctions of the products. This Warranty Certificate replaces all other warranties and liabilities, whether oral, written, (non-mandatory) statutory, contractual, in tort or otherwise.</p> <p>In no case shall Crow be liable to anyone for any consequential or incidental damages (inclusive of loss of profit, and whether occasioned by negligence of the Crow or any third party on its behalf) for breach of this or any other warranty, expressed or implied, or upon any other basis of liability whatsoever.</p> <p>Crow does not represent that these products can not be compromised or circumvented; that these products will prevent any person injury or property loss or damage by burglary, robbery, fire or otherwise; or that these products will in all cases provide adequate warning or protection.</p> <p>Purchaser understands that a properly installed and maintained product may in some cases reduce the risk of burglary, fire, robbery or other events occurring without providing an alarm, but it is not insurance or a guarantee that such will not occur or that there will be no personal injury or property loss or damage as a result. Consequently, Crow shall have no liability for any personal injury; property damage or any other loss based on claim that these products failed to give any warning. If Crow is held liable, whether directly or indirectly, for any loss or damage with regards to these products, regardless of cause or origin, Crow's maximum liability shall not in any case exceed the purchase price of these products, which shall be the complete and exclusive remedy against Crow.</p>	<div style="text-align: center;">  <p>sales@crow.co.il support@crow.co.il</p> <p><a href="http://www.thecrowgroup.com">www.thecrowgroup.com</a></p> </div>	<p style="text-align: center;">These instructions supersede all previous issues in circulation prior to December 2017</p>																																							